

## T50 Display Unit



The T50 display unit can be used with strain gauge transducers (force, weight, torque) to display the measuring values.

The T50 display unit has the automatic brightness control depends on the external illumination.

Polycarbonate housing is made in gray and has a clear cover.

### Technical data

LED seven-segment display with digit dimensions, mm	60 × 101.2
Input voltage, V	5 ± 20%
Transfer rate, Kbit/s	115.2
Input resistance, Ω	50
Excitation voltage, V	16 ... 30
Max current (DC), mA	≤ 700.0
Ambient temperature range, °C	- 40 ... + 85
Humidity, %	≤ 95 (+ 30 °C)
Degree of protection	IP 67
Dimensions, mm	200 x 400 x 130
Weight , kg	≤ 3.0

### Scope of supply

T50 display unit	1
User manual	1
Power supply connector 2PM14	1

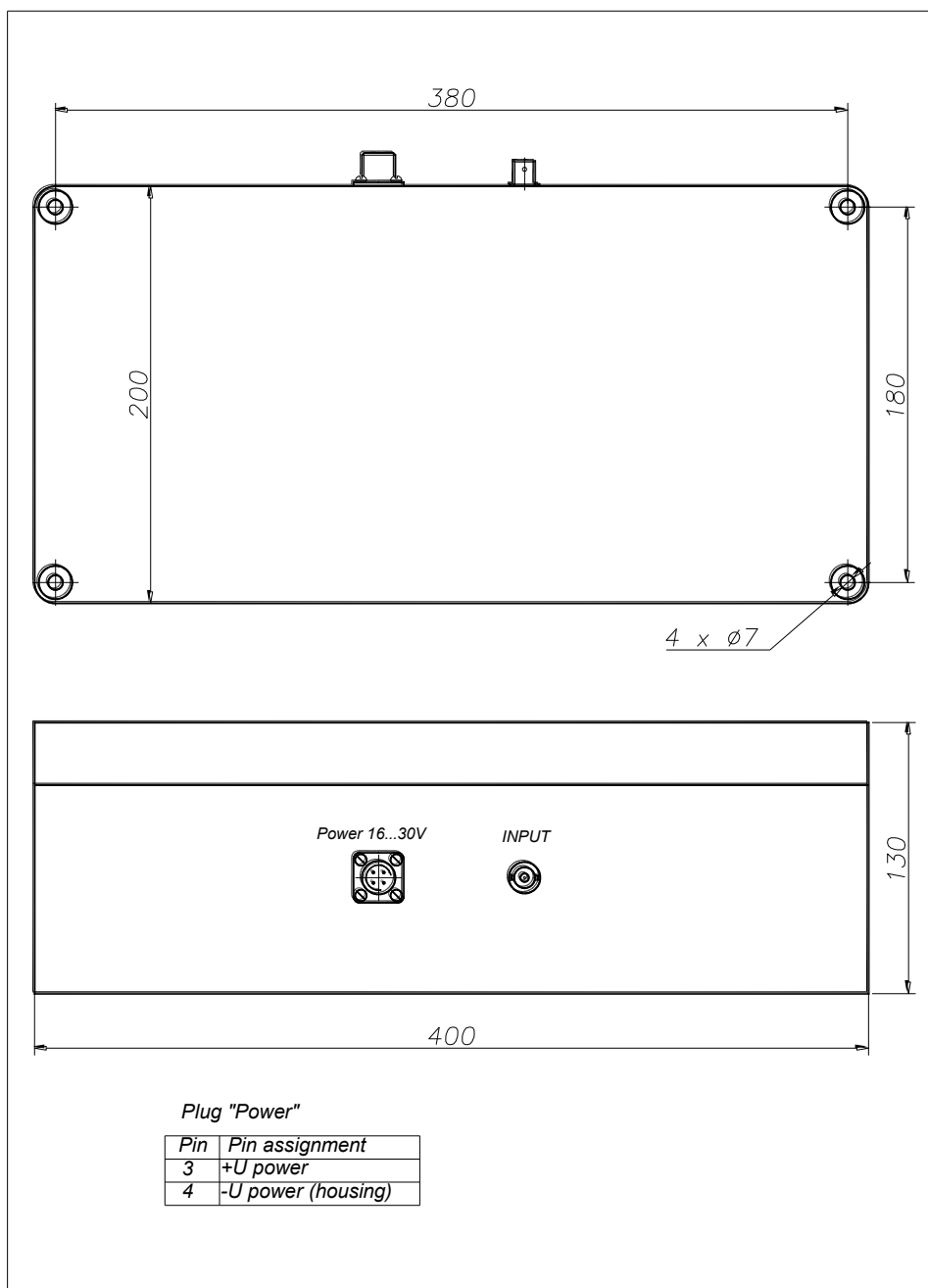
## General installation notes

The polycarbonate housing of the T50 display unit is made in gray and has a clear cover. The backside of the housing has four holes for fixing the display to a vertical surface. On the lateral surface are power and input signal sockets.

## Mounting example

### (with the AT50 measuring amplifier)

The T50 display unit is connected to the output of the AT50 amplifier, a SG transducer is connected to the amplifier input. Then the power supply (12 ... 30 V DC) is connected.



To calibrate the measuring path, use a trimmer, which is located on the AT50 board.  
The zero adjustment (Tara zeroing) is made with the button on the front panel of the AT50 amplifier.

