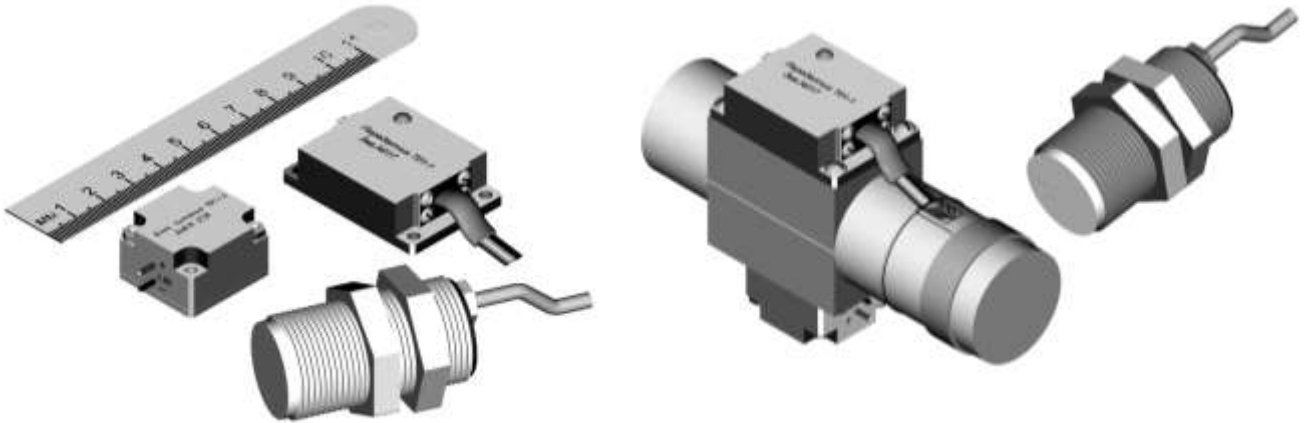


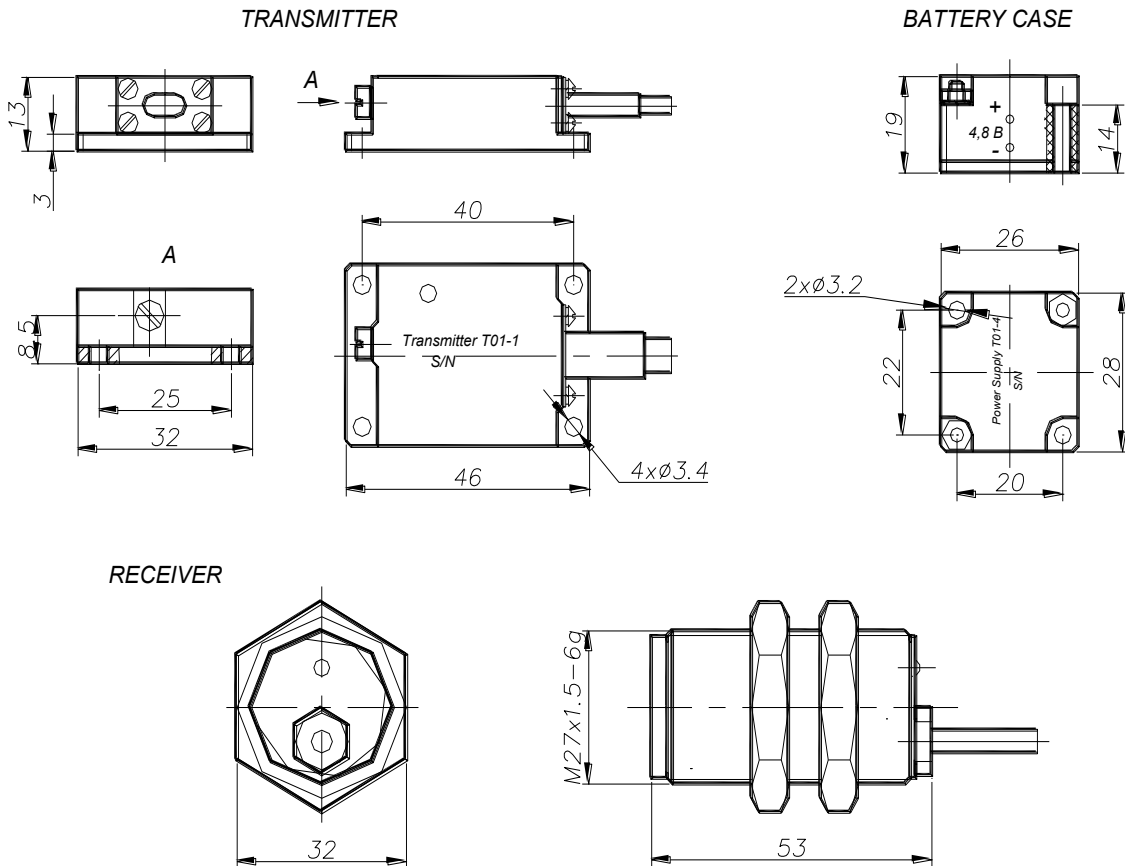
TT01 Telemetry

The TT01 telemetry is intended for amplifying and contactless transmission of signals from the strain gauges (thermocouples) mounted on the rotating machine parts to the stationary measuring unit or data acquisition system. It is suitable for measurements of various physical quantities such as strains, forces, torque, temperature, etc. The TT01 telemetry is ideal to be applied to shafts, axles, connecting rods and the like when low-cost and effective solution to the measurement task is needed.

The principle of operating of the TT01 telemetry is based on the conversion of the signal produced by the strain gauge (thermocouple) into the frequency-modulated impulses and on the transmission of them by means of capacitive coupling between transmitter and receiver from the rotated object on the fixed object.



Dimensions, mm



Technical Data

Type		TT01
Number of measuring channels		1
Permissible strain gauge full bridge resistance	Ω	100 ... 1 000 (thermocouple on request)
Nominal input signal, switchable in 3 steps	mV/V	± 0.5 ; ± 1.0 ; ± 2.0
Bridge excitation voltage	V	3.5 ... 5.5
Bridge balance range	mV/V	± 2
Nominal output voltage of receiver at nominal input signal	V	3 ± 2.5 (0 ± 2.5 on request)
Characteristic tolerance	%	± 0.5
Temperature effect per 10 K in the nominal temperature range on the zero point at the receiver output	%	< 0.2
Linearity deviation	%	< 0.1
Measurement frequency range (– 3 dB)	Hz	0 ... 500 (0 ... 5 000 on request)
Operating voltage of transmitter	V	4.8 (3.5 ... 5.5)
Operating current of transmitter (without bridge connected)	mA	< 15
Operating voltage of receiver	V	10 ... 32
Operating current of receiver	mA	< 20
Degree of protection		IP52
Nominal temperature range	$^{\circ}\text{C}$	- 40 ... + 60
Permissible acceleration (transmitter and case battery)	m/s^2	35 000
Weight of transmitter	g	40 ± 2
Weight of T01.4 battery case 110 mA	g	35 ± 2
Weight of receiver (without cable)	g	140 ± 5
Receiver cable length	m	10

Scope of delivery

Transmitter T01.1	1
Receiver T01.2 (with cable 10 m long)	1
T01.4 battery 110 mA	1
Operating manual	1

Accessories, (to be ordered separately):

1. TB01 or TB10 air transformer
2. T01.3 battery 280 mA

Modifications reserved. All details describe the production in general form.

Customer's specifications and the original design with the required parameters are also available.

TILKOM Ltd

Phone/fax (+375-17) 284-11-83, +375 29 664 49 66.

P. Brovkiy str. 17-401, 220072, Minsk, Republic of Belarus
E-mail: tilkom1@mail.ru, info@tilkom.com www.tilkom.com